

Shirashian Co.

Rotary Position Sensor

SI-513 Series (Nissan)

SI-513 Series

Typical Application: Throttle & Pedal Position

Features / Benefits:

- Sealed, Spring Return Rotor
- Non-Adjustable Mounting
- CounterClockwise Rotation
- Mates with 3 Way "Mini-Timer" Style Connector



TYPICAL SPECIFICATIONS

ELECTRICAL

Total Resistance(Terminal 1-2):	2.0 K Ω \pm 20%
Wiper protection resistance (Wiper in zero-position,terminals 2-3):	1.0 K Ω \pm 20%
Linearity:	< \pm 1% (independent)
Usable Electrical Angle Area:	108 $^{\circ}$
Angle Between Internal Stops:	110 $^{\circ}$
Output Slope:	0.00927 (% / deg) = 46.35 mV / deg
Idle Voltage:	680 \pm 250 mV
W.O.T Voltage:	4250 \pm 450 mV
Hysteresis:	< 1% Applied Voltage
Electrical Limit:	16 VDC Maximum
Operation voltage:	5 V
Maximum Power Rating:	0.08 Watts

MECHANICAL

Right Stop Position:	0 $^{\circ}$
Left Stop Position:	110 $^{\circ}$
Torque:	Start of Rotation, >0.015 Nm End of Rotation, <0.12 Nm
Stop Strength:	0.8 N
Air Passage Leak	No leak in air pressure= 2 bar

DURABILITY

Mechanical Cycling:	1.0 \times 10 ⁶ Full Strokes 0.5 \times 10 ⁶ Half Cycles 5.0 \times 10 ⁶ Dither Strokes
Standard Vibration:	24 hrs; 3 Planes 10 to 250 Hz; 1.36 – 32 g, 0 $^{\circ}$ to 80 $^{\circ}$ C
Thermal Shock:	100 Cycles, -40 $^{\circ}$ to 135 $^{\circ}$ C
Temperature Range (Operation & Storage):	-40 $^{\circ}$ to 135 $^{\circ}$ C



HEADQUARTER
Shirashian sanat co.
No.419, 10th St., 1st Blvd.,
Buali industrial estate
6518114334 Hamedan,
Iran
Tel/Fax: 0098 8134383212-13
Website:www.shirashianco.com
Email:info@shirashianco.com
Date: 04/23/2002
Revised: 12/20/2012
Version: 1. 3

ENVIRONMENTAL

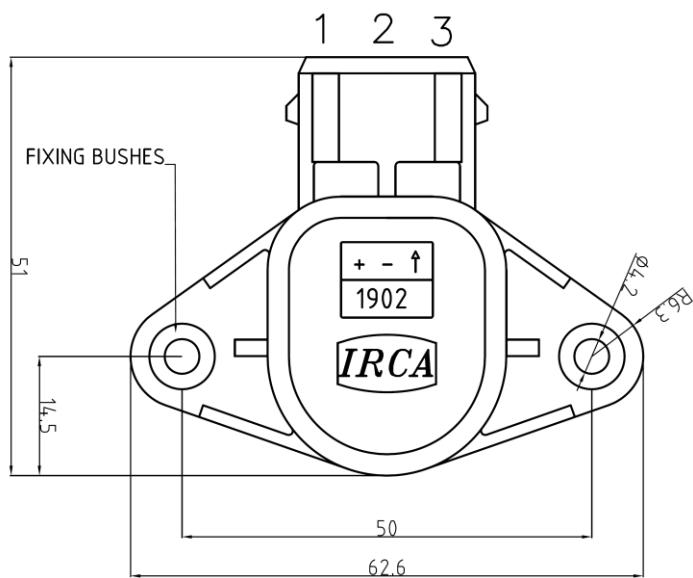
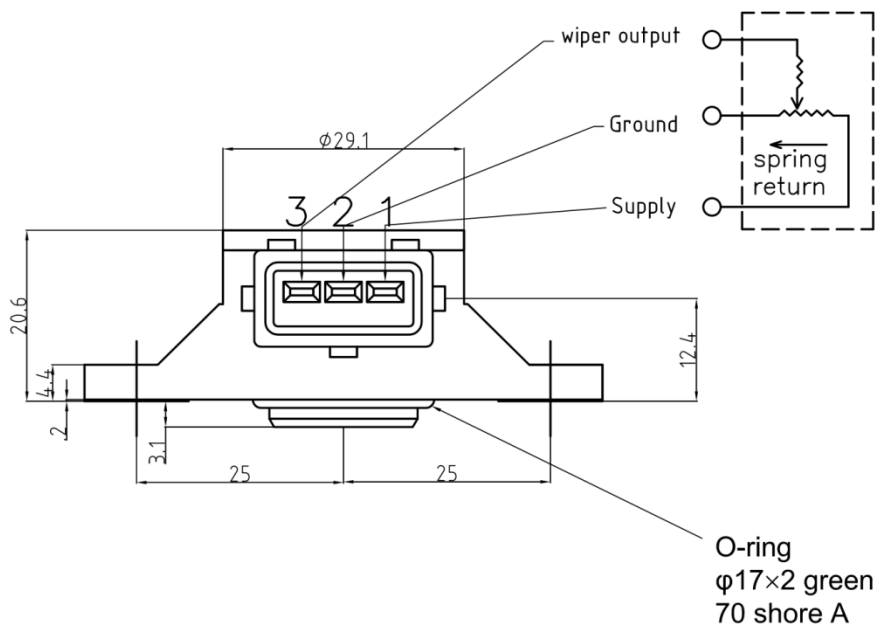
Salt Spray:	250 hrs.
Humidity:	96 hrs., 93% RH at 40°C
Resistant to gasoline, engine oil, brae fluid & antifreeze	

NOTE: These standard specifications have been met on existing production-tooled units that are tested on precise test equipment. Details are available including failure criteria. This data sheet does not constitute a warranty that the product will meet the above specifications while used in your application or attached to your test equipment.

HEADQUARTER
Shirashian sanat co.
No.419, 10th St., 1st Blvd.,
Buali industrial estate
6518114334 Hamedan,
Iran
Tel/Fax: 0098 8134383212-13
Website:www.shirashianco.com
Email:info@shirashianco.com
Date: 04/23/2002
Revised: 12/20/2012
Version: 1. 3

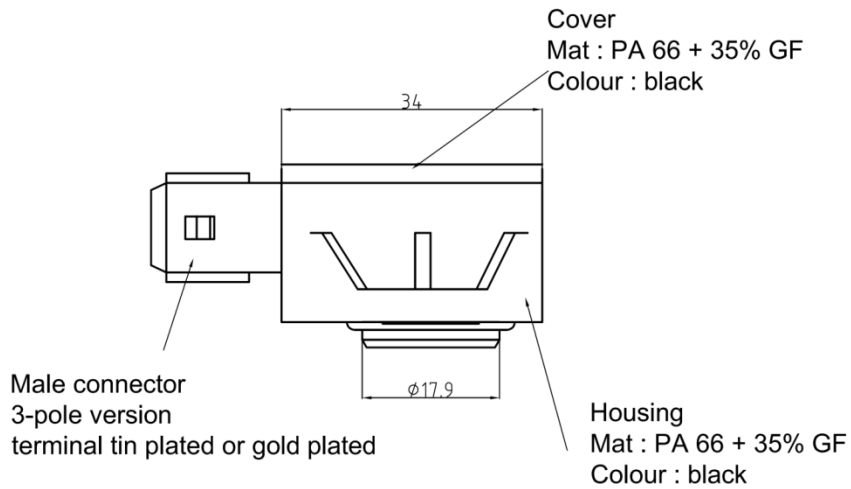
Dimensional Details (mm)

Circuit Diagram



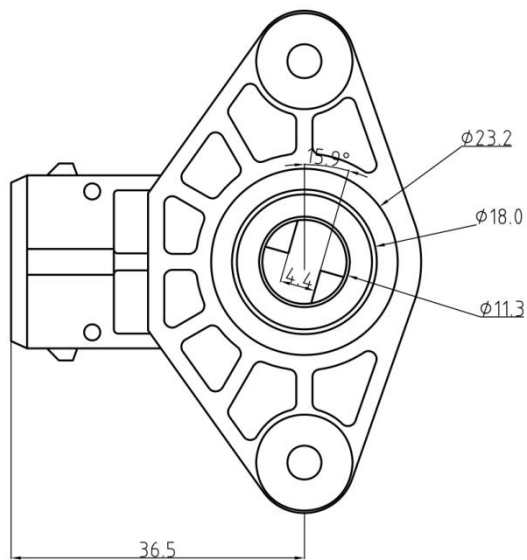
SI-513 Series

HEADQUARTER
Shirashian sanat co.
No.419, 10th St., 1st Blvd.,
Buali industrial estate
6518114334 Hamedan,
Iran
Tel/Fax: 0098 8134383212-13
Website: www.shirashianco.com
Email: info@shirashianco.com
Date: 04/23/2002
Revised: 12/20/2012
Version: 1. 3



TPS in First Mechanical Stop

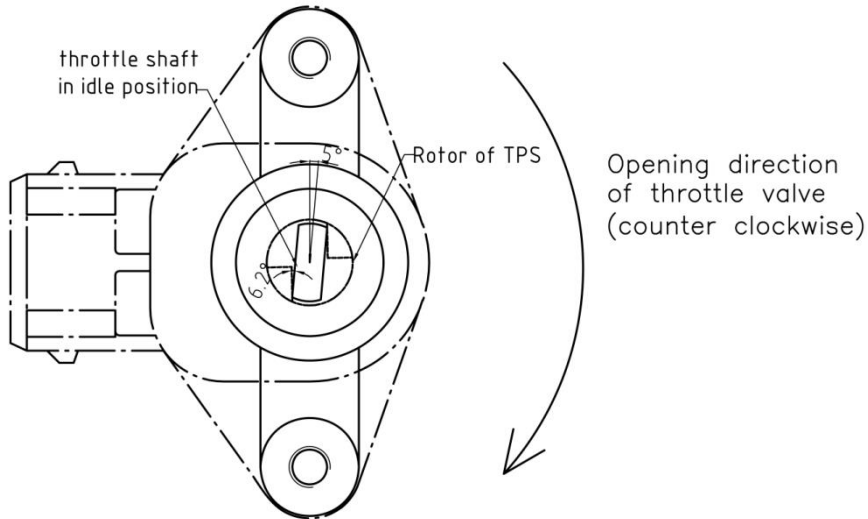
Note the viewpoint
 (this is a back viewpoint, attention to the connector)



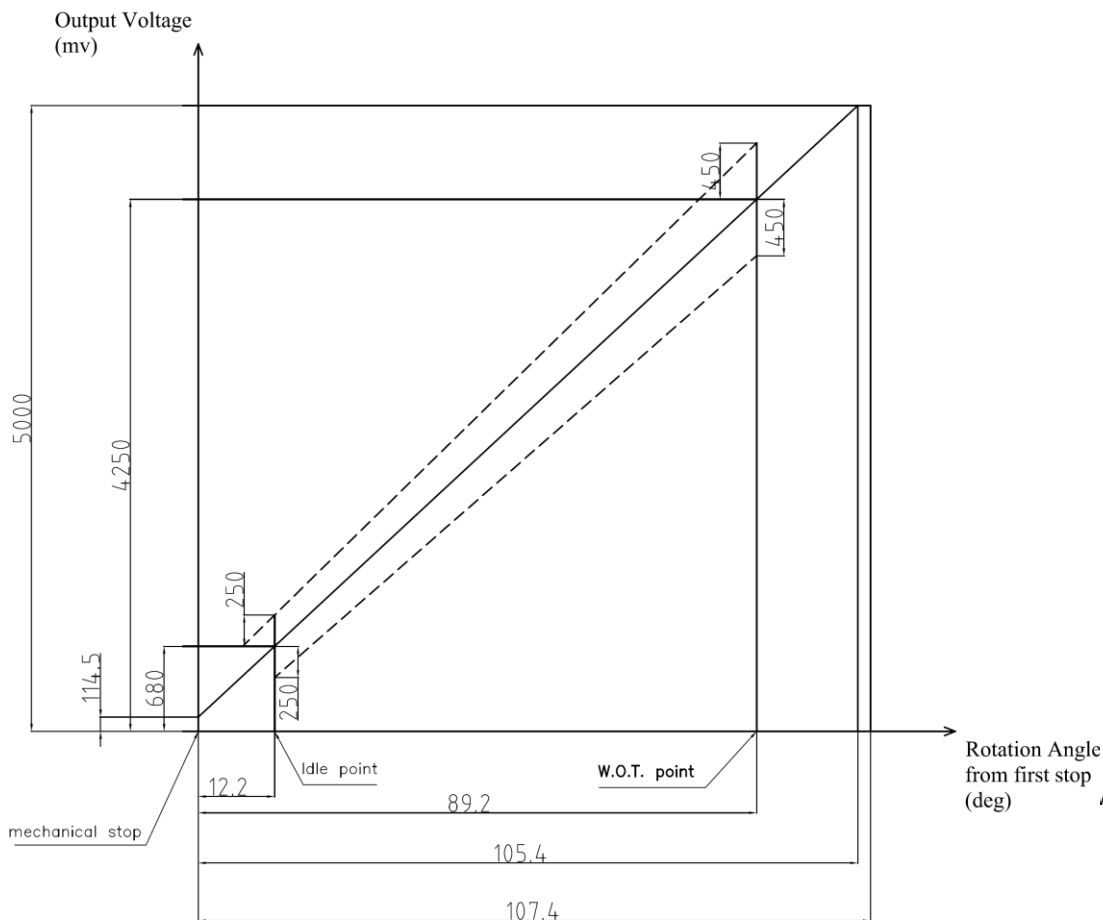
HEADQUARTER
 Shirashian sanat co.
 No.419, 10th St., 1st Blvd.,
 Buali industrial estate
 6518114334 Hamedan,
 Iran
 Tel/Fax: 0098 8134383212-13
 Website: www.shirashianco.com
 Email: info@shirashianco.com
 Date: 04/23/2002
 Revised: 12/20/2012
 Version: 1. 3

Throttle Shaft Drawn in Idle Position

Note the viewpoint
(this is a front viewpoint, attention to the connector)



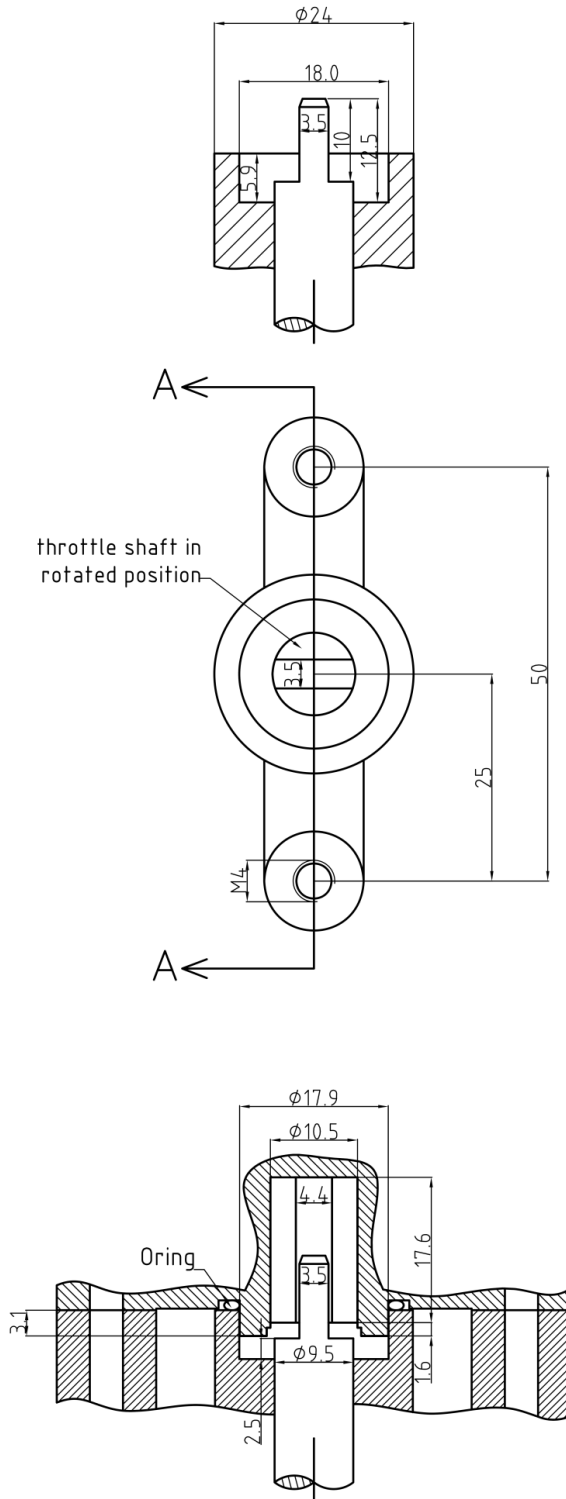
Electrical Characteristics



HEADQUARTER
Shirashian sanat co.
No.419, 10th St., 1st Blvd.,
Buali industrial estate
6518114334 Hamedan,
Iran
Tel/Fax: 0098 8134383212-13
Website: www.shirashianco.com
Email: info@shirashianco.com
Date: 04/23/2002
Revised: 12/20/2012
Version: 1. 3

Throttle Shaft Drawn in Rotated Position

section A-A



SI-513 Series

HEADQUARTER
 Shirashian sanat co.
 No.419, 10th St., 1st Blvd.,
 Buali industrial estate
 6518114334 Hamedan,
 Iran
 Tel/Fax: 0098 8134383212-13
 Website: www.shirashianco.com
 Email: info@shirashianco.com
 Date: 04/23/2002
 Revised: 12/20/2012
 Version: 1.3