

SSA™ Linear actuator

PT600 SERIES

PT-611 (Peugeot)

Applications:

Peugeot 405-XU7, Peugeot Pars-XU7, Samand-XU7



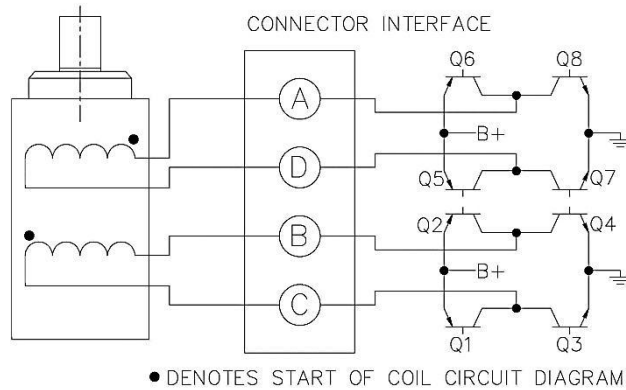
Increment/step	0.04167 mm
Max. travel length	8.5 mm
Max. force (12 VDC)	37 N
Air flow characteristic	Variable, application specific
Diameter	33 mm
Weight	76 g

Technical data

		Phase resistance	Phase inductance	Phase current	Nominal power	Phase tension	
		Ω	mH	mA	W	V	
bipolar	PT611	51 ± 10%	33.5 ± 20%	235	2.8	12	

Electrical Interface and Step Sequence

- Connector interface

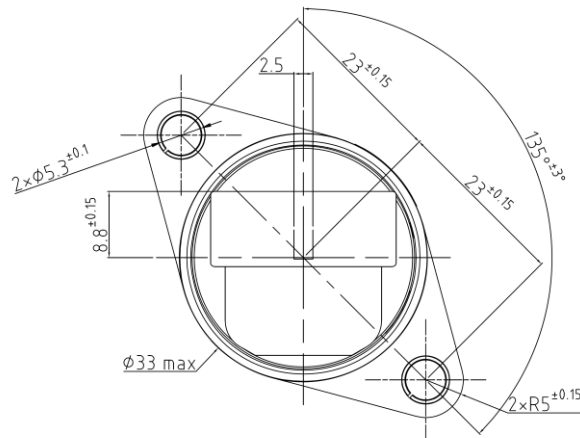
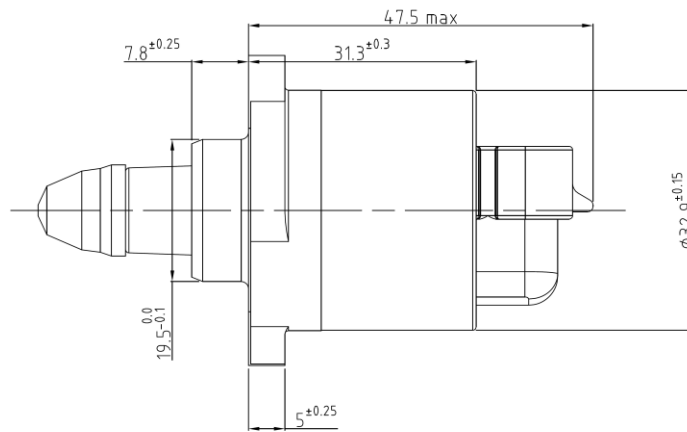


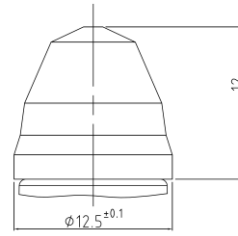
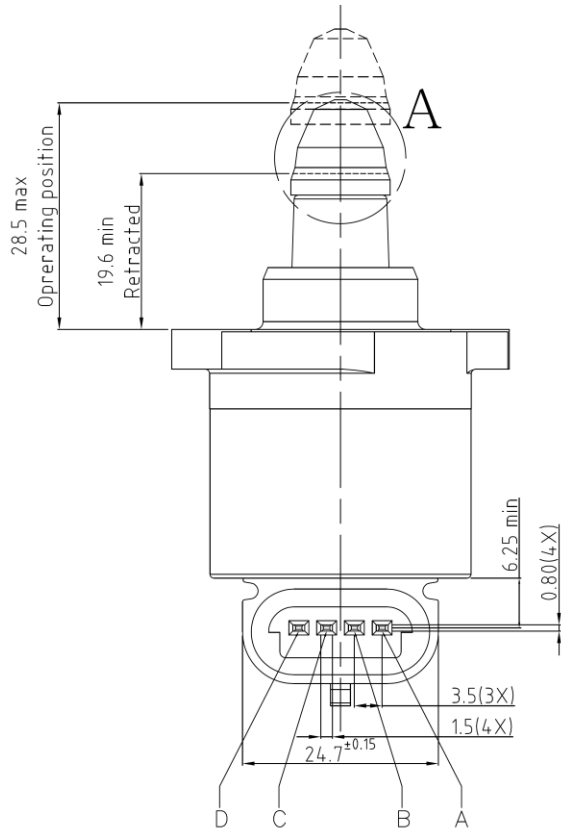
- Step sequence

	PINS				STEP	PINS				
	Q6-Q7	Q5-Q8	Q1-Q4	Q2-Q3		A	D	C	B	
EXTENSION ↓	1	ON	OFF	ON	OFF	1	+	-	+	-
	2	ON	OFF	OFF	ON	2	+	-	-	+
	3	OFF	ON	OFF	ON	3	-	+	-	+
	4	OFF	ON	ON	OFF	4	-	+	+	-
	5	ON	OFF	ON	OFF	5	+	-	+	-
MOTOR ACTUATOR TABLE NORMAL 4 STEP SEQUENCE										

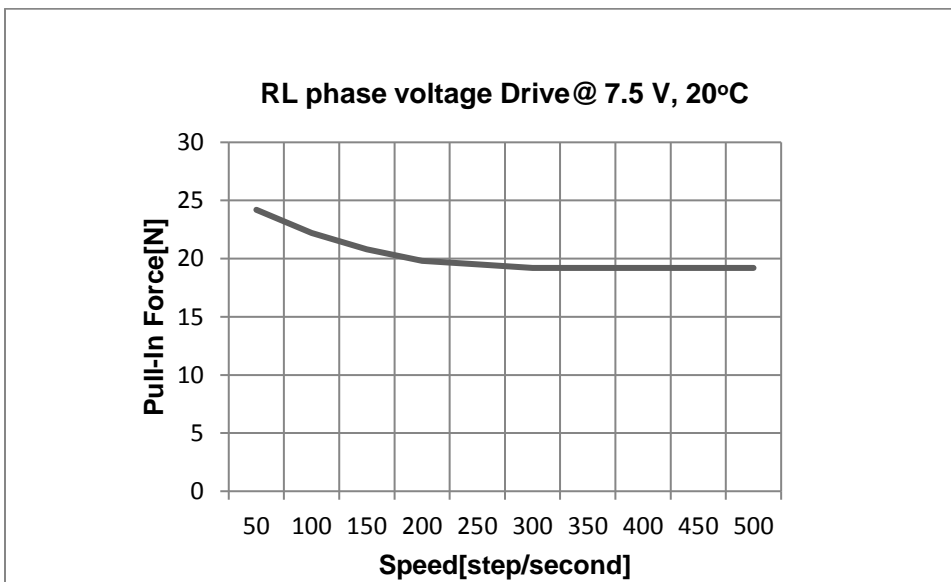
Dimensions

Drawing not to scale. All dimensions in mm.





Dynamic characteristic



Working conditions

Ambient temperature	-40 ... +120 °C
Vibration	40 g
Insulation Class	B 130 °C
Protection	IP 65 (DIN 40050)
Test Voltage	500 VAC
Speed (200 Hz, pitch 1)	24 steps/rev. (8.3 mm/s)

Special requirements upon customer specifications.

Sydone Sanat Aria Co. Ltd.
No.418, 10th st., 1st blvd.,
Buali Industrial Estate,
6518114191Hamedan,Iran
Tel/Fax: +98(81)3438 3212
+98(81)3438 3213
+98(81)3438 3857
info@sydoneco.com- www.sydoneco.com