

# SSA™ Linear actuator

MV610 SERIES

MV-615 (MVM 110, 1100 cc & MVM 315)



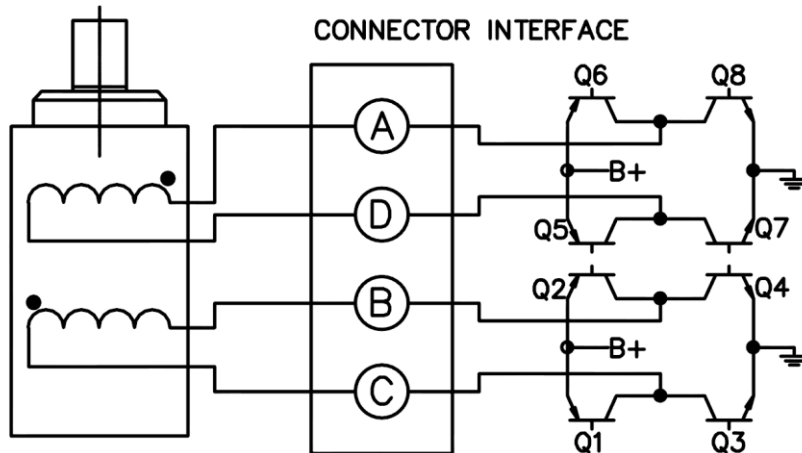
<b>Increment/step</b>	0.04167 mm
<b>Max. travel length</b>	8.5 mm
<b>Max. force (12 VDC)</b>	37 N
<b>Air flow characteristic</b>	Variable, application specific
<b>Diameter</b>	33 mm
<b>Weight</b>	76 g

## Technical data

		Phase resistance	Phase inductance	Phase current	Nominal power	Phase tension	
		$\Omega$	mH	mA	W	V	
bipolar	MV615	$51 \pm 10\%$	$33.5 \pm 20\%$	235	2.8	12	

## Electrical Interface and Step Sequence

- Connector interface



• DENOTES START OF COIL CIRCUIT DIAGRAM

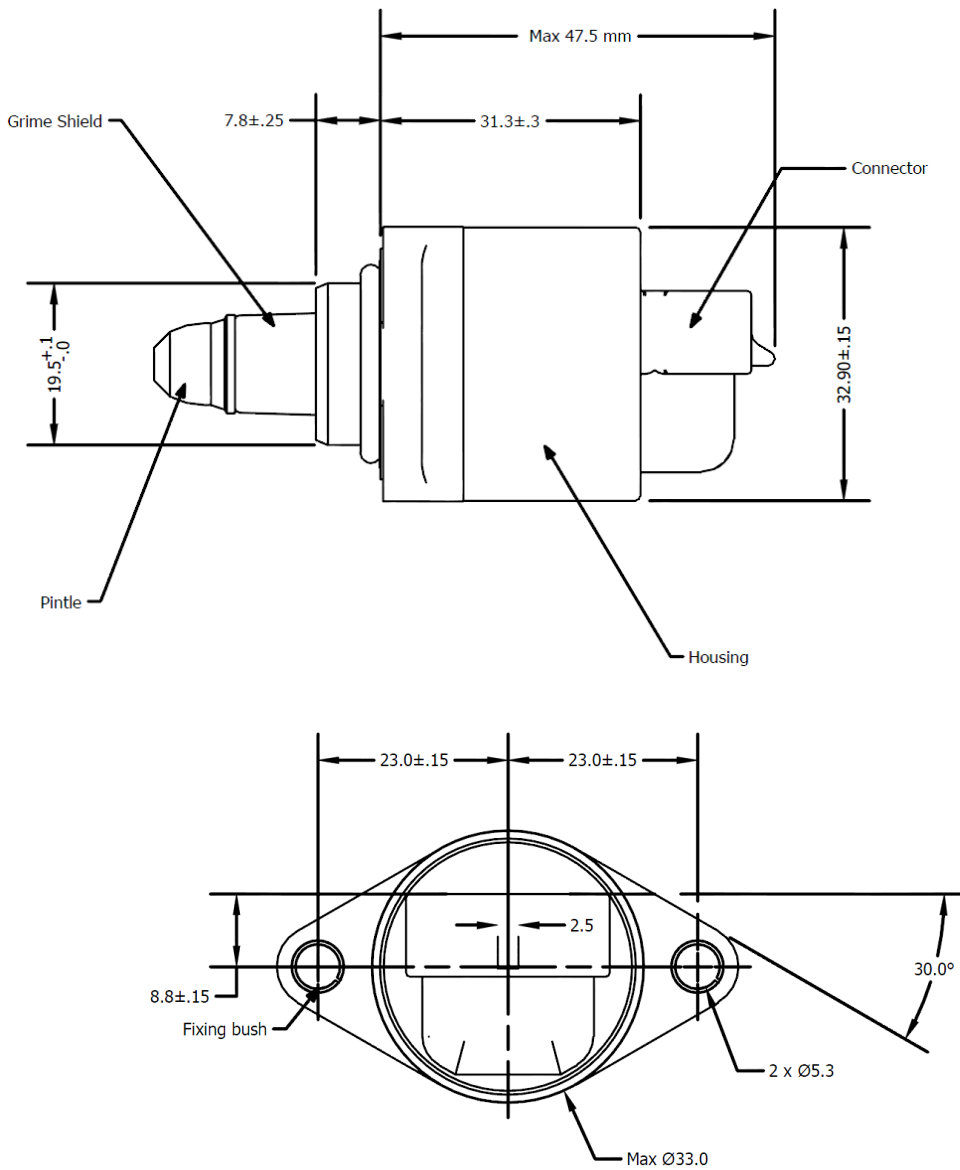
- Step sequence

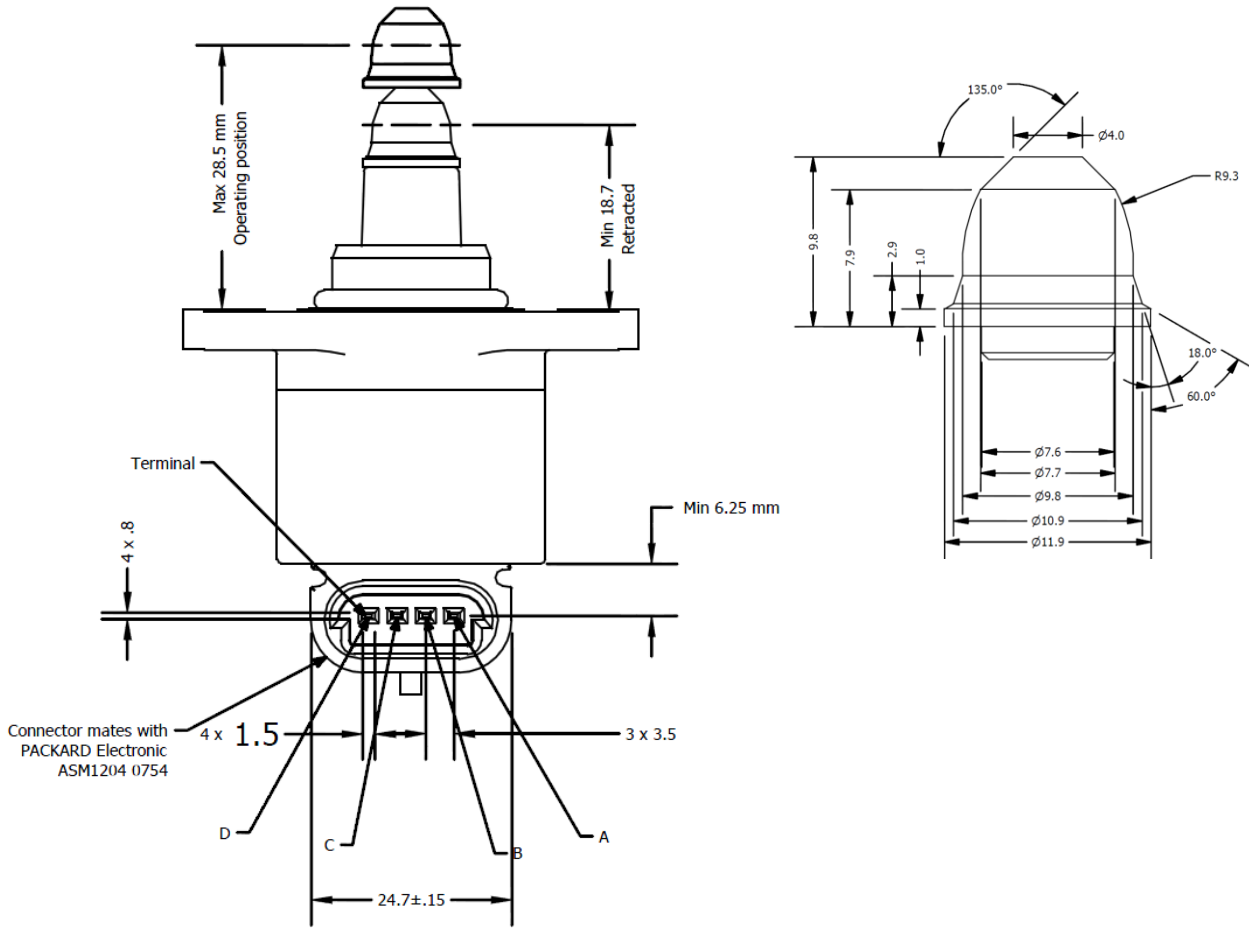
						PINS					
EXTENSION ↓	STEP	Q6-Q7	Q5-Q8	Q1-Q4	Q2-Q3	STEP	A	D	C	B	↑ RETRACTION
	1	ON	OFF	ON	OFF	1	+	-	+	-	
	2	ON	OFF	OFF	ON	2	+	-	-	+	
	3	OFF	ON	OFF	ON	3	-	+	-	+	
	4	OFF	ON	ON	OFF	4	-	+	+	-	
	5	ON	OFF	ON	OFF	5	+	-	+	-	

MOTOR ACTUATOR TABLE NORMAL 4 STEP SEQUENCE

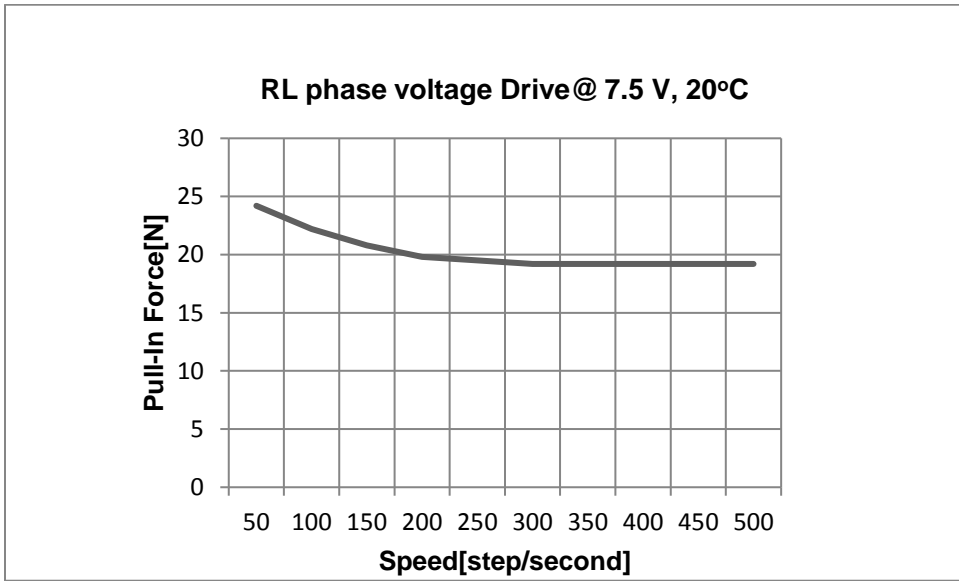
## Dimensions

Drawing not to scale. All dimensions in mm.





## Dynamic characteristic



### Working conditions

Ambient temperature	-40 ... +120 °C
Vibration	40 g
Insulation Class	B 130 °C
Protection	IP 65 (DIN 40050)
Test Voltage	500 VAC
Speed ( 200 Hz, pitch 1)	24 steps/rev. (8.3 mm/s)

*Special requirements upon customer specifications.*

**Sydone Sanat Aria Co. Ltd.**  
No.418, 10th st., 1st blvd.,  
Buali Industrial Estate,  
6518114191Hamedan,Iran  
Tel/Fax: +98(81)3438 3212  
+98(81)3438 3213  
+98(81)3438 3857  
info@sascogroup.ir- www.sascogroup.ir