

SASCO® Linear actuator

TU-613



TU-613 Series

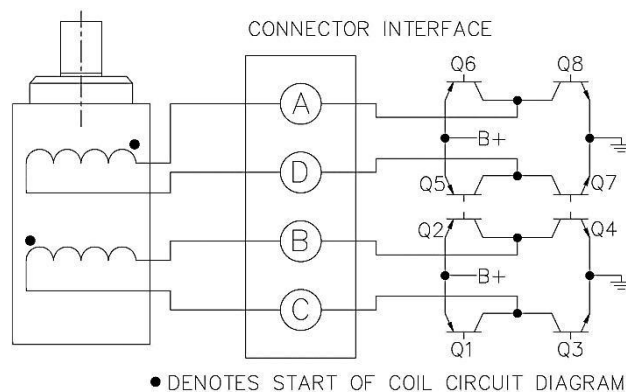
Increment/step	0.04167 mm
Max. travel length	8.5 mm
Max. force (12 VDC)	37 N
Air flow characteristic	Variable, application specific
Diameter	33 mm
Weight	74 g

Technical data

		Phase resistance	Phase inductance	Phase current	Nominal power	Phase tension	
		Ω	mH	mA	W	V	
bipolar	PT611	$51 \pm 10\%$	$33.5 \pm 20\%$	235	2.8	12	

Electrical Interface and Step Sequence

- Connector interface



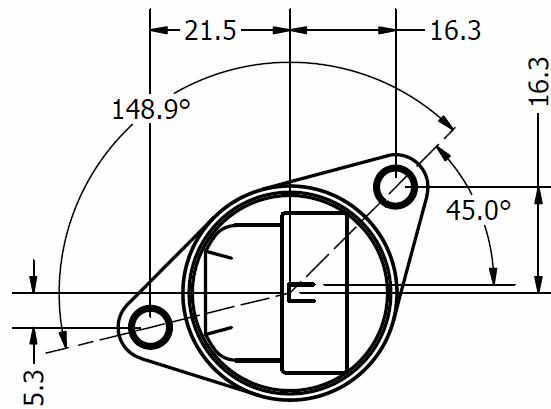
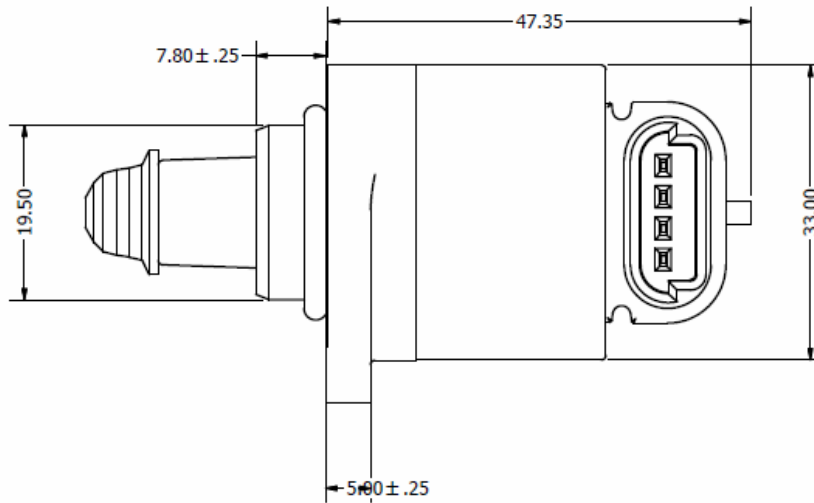
- Step sequence

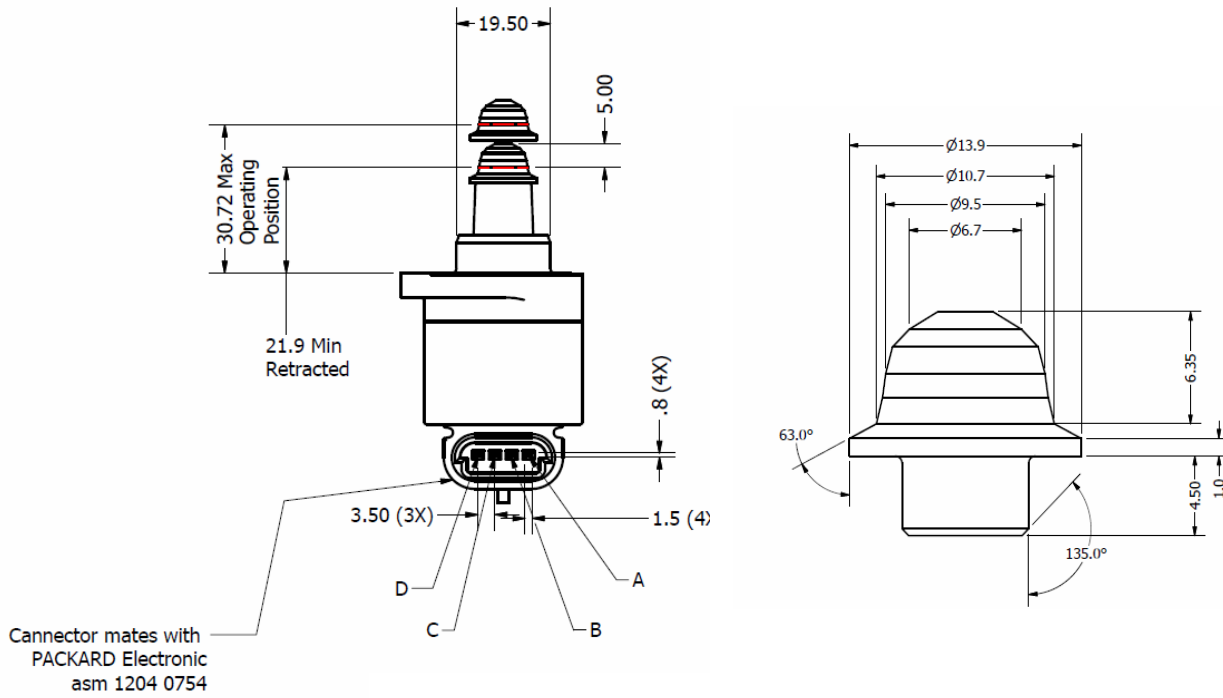
						PINS				
	STEP	Q6-Q7	Q5-Q8	Q1-Q4	Q2-Q3	STEP	A	D	C	B
EXTENSION	1	ON	OFF	ON	OFF	1	+	-	+	-
	2	ON	OFF	OFF	ON	2	+	-	-	+
	3	OFF	ON	OFF	ON	3	-	+	-	+
	4	OFF	ON	ON	OFF	4	-	+	+	-
	5	ON	OFF	ON	OFF	5	+	-	+	-
RETRACTION										

MOTOR ACTUATOR TABLE NORMAL 4 STEP SEQUENCE

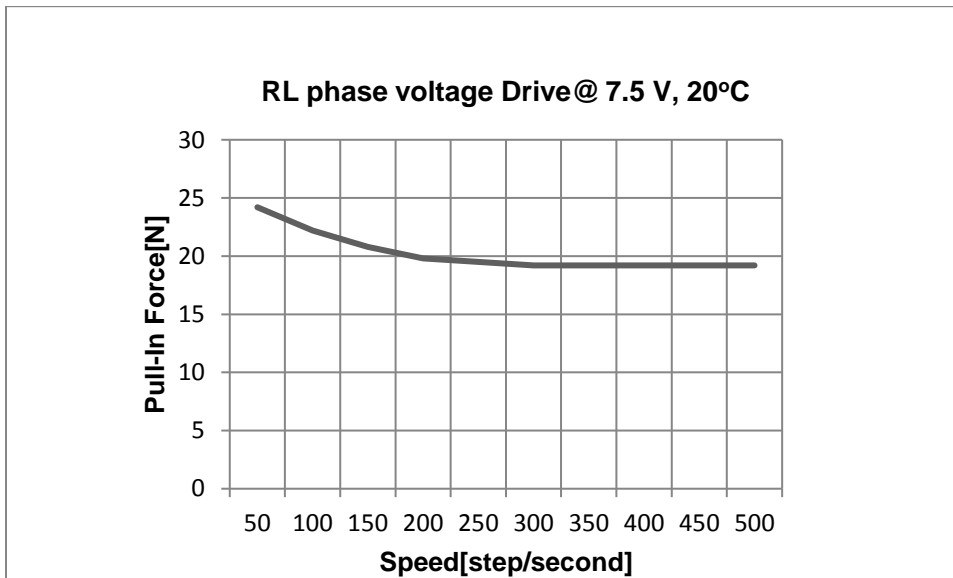
Dimensions

Drawing not to scale. All dimensions in mm.





Dynamic characteristic



Working conditions

Ambient temperature	-40 ... +120 °C
Vibration	40 g
Insulation Class	B 130 °C
Protection	IP 65 (DIN 40050)
Test Voltage	500 VAC
Speed (200 Hz, pitch 1)	24 steps/rev. (8.3 mm/s)

Special requirements upon customer specifications.

Sydone Sanat Aria Co. Ltd.

No.418, 10th st., 1st blvd.,
Buali Industrial Estate,
6518114191Hamedan,Iran
Tel/Fax: +98(81)3438 3212
+98(81)3438 3213
+98(81)3438 3857
Email: info@sascogroup.ir
Website: www.sascogroup.ir